

INSTRUCTIONS



WEATHER - BRAKE

2145

FITS

New Holland TN



General Offices
1132 W. 1ST STREET
McPherson, KS 67460
Phone: (620) 241-3513
Web: www.femcomfg.com

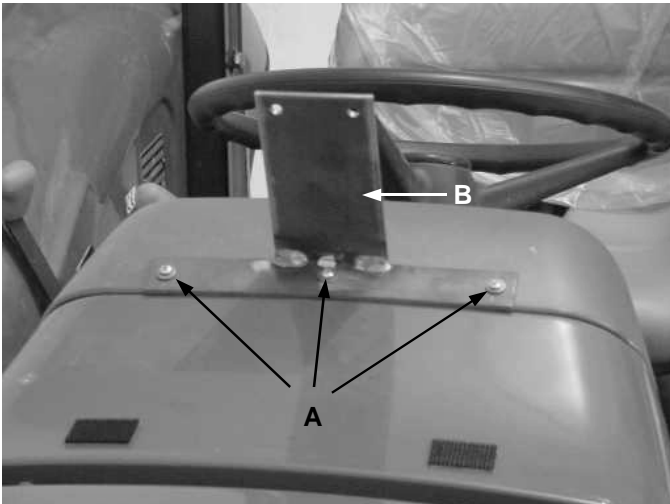
Form No. 286307300 / 06-2002

PARTS LIST

- | | | |
|-----|-----------|------------------|
| 1. | 720902901 | Motor Cover |
| 2. | 720903001 | Door L.H. |
| 3. | 720903101 | Door R.H. |
| 4. | 712106701 | Yoke |
| 5. | 711167201 | Door Latch |
| 6. | 720903201 | Yoke Bracket |
| 7. | 711763001 | Door Post L.H. |
| 8. | 711763101 | Door Post R.H. |
| 9. | 712181101 | Windshield R.H. |
| 10. | 712181301 | Windshield L.H. |
| 11. | 711181301 | Windshield Angle |
| 12. | 711181401 | Windshield Flat |
| 13. | 720735000 | Side Window |
| 14. | 711389800 | Windshield |

NOTE

Carefully study the photo diagrams showing the location of each part. Leave all hardware loose until instructed to tighten.

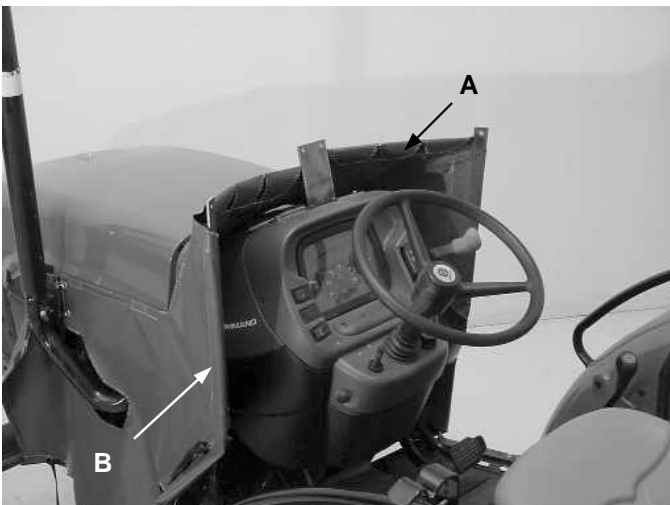


YOKE BRACKET

1. Remove three (3) screws (A) from top of dash.
2. Attach yoke bracket (B) to top of dash using three (3) #8 x 1" screws and washers.
3. Tighten screws.

DOOR POSTS

1. Attach door post (A) to foot rest using two (2) 1/4" x 1" bolts, fender washers, and nuts.
2. Repeat procedure for the other side.

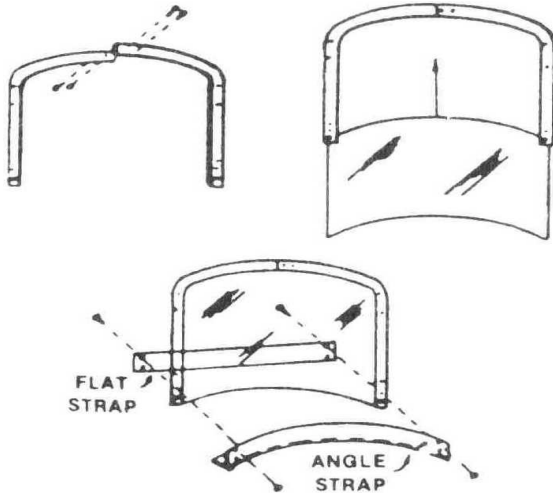
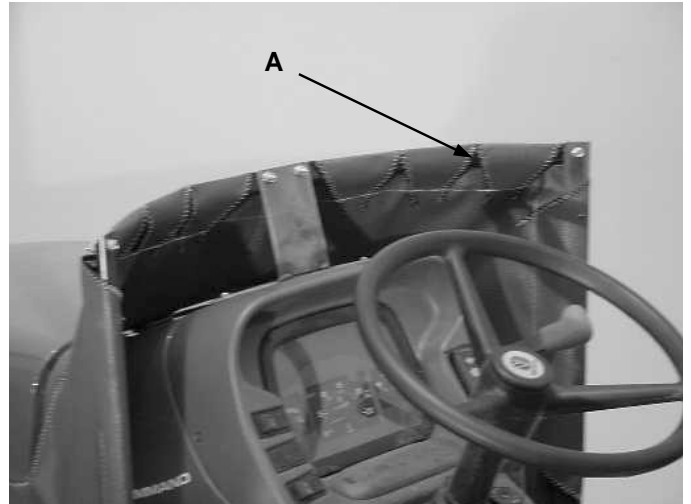


MOTOR COVER

1. Lay motor cover (A) over hood of tractor.
2. Insert 3" hem (B) down over door posts.
3. Arrange motor cover around hood of tractor.

YOKE

1. Insert yoke (A) into top 3" hem of motor cover.
2. Attach yoke to yoke bracket using two (2) 1/4" x 3/4" bolts and nuts. Head of bolt outside, nut inside
3. TIGHTEN THESE BOLTS ONLY.



WINDSHIELD ASSEMBLY

1. Attach left and right window frames using two (2) #10 x 1/2" bolts and nuts.
2. Slide glass into the channel of the windshield.
3. Attach flat strip and angle strip to the windshield using two (2) #10 x 1/2" bolts and nuts.
4. TIGHTEN BOLTS.

WINDSHIELD ATTACHMENT

1. Attach windshield (A) to door posts and yoke using two (2) 1/4" x 1" bolts and nuts. Head of bolt inside nut outside.
2. Check to see if top of door posts and windshield is straight up and down.
3. TIGHTEN ALL BOLTS.





Dual Lock® a registered trademark of 3M Co.

1. Cut plastic Dual Lock into 2" lengths.
2. Surface must be cleaned with a mild detergent to assure proper application of Dual Lock strips.

NOTE: Do not peel the backing from the Dual Lock.

3. Apply cut Dual Lock to all Dual Lock sewn to motor cover.
4. Attach "S" hooks to grommets back of exhaust pipe. Crimp one side of "S" hook.
5. Arrange motor cover to tractor. Peel backing from Dual Lock and apply to tractor. Repeat this procedure for all Dual Lock.

CLOTH STRIPS

Cloth straps are not to be attached to any moving, rotating or heat generating points of the tractor. Any excess cloth is to be cut off.

1. Tie cloth straps to bottom of motor cover and route under tractor and tie to the other side of the motor cover.

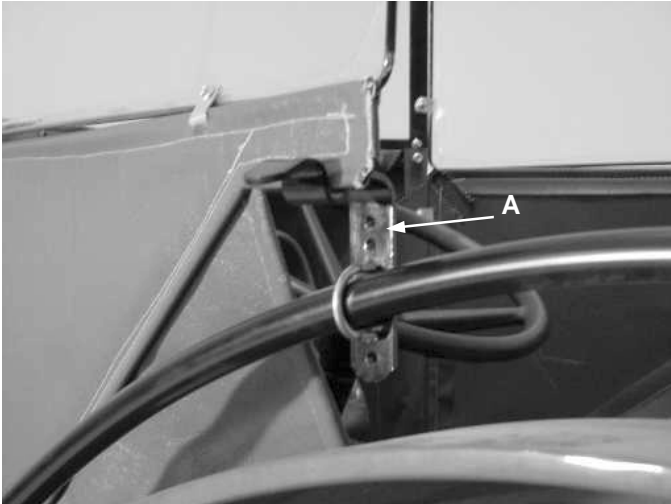
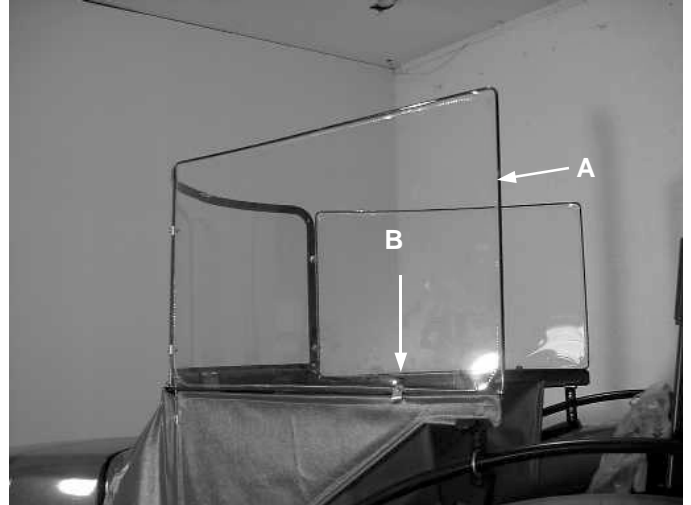


DOOR POSTS TC35 - TC45

1. Locate holes in door post and cut holes in the fabric.
2. Hold door (A) to door post and bottom of windshield.
3. Mark location of holes in door post to door.
4. Cut 5/8" slots next to wire frame of door and attach to door using two (2) #10 x 3/4" bolts, nuts, and clips.
5. Tie door flap (B) to the motor cover.
6. Repeat procedure for the other side.

SIDE WINDOWS

1. Mark location of holes in windshield to side window (A).
2. Cut 5/8" slots next to wire frame of window and attach to windshield using four (4) #10 x 3/4" bolts, nuts, and clips.
3. At location (B), cut a 5/8" slot in bottom side of window and top of doors and attach using two (2) #10 x 3/4" bolts, nuts, and clips.
4. TIGHTEN ALL BOLTS.



ATTACHMENT OF BRACE R.H. TC35 - TC45

1. Position door wire in loop of latch (A) and attach using one (1) "U" bolt and nuts to grab handle on door.
2. CHECK AND TIGHTEN ALL BOLTS.

NOTES